



AirSupply

Upblast Exhaust Fan

Model: E-DUC121224-1

Revision: 01

Date: February 26, 2026

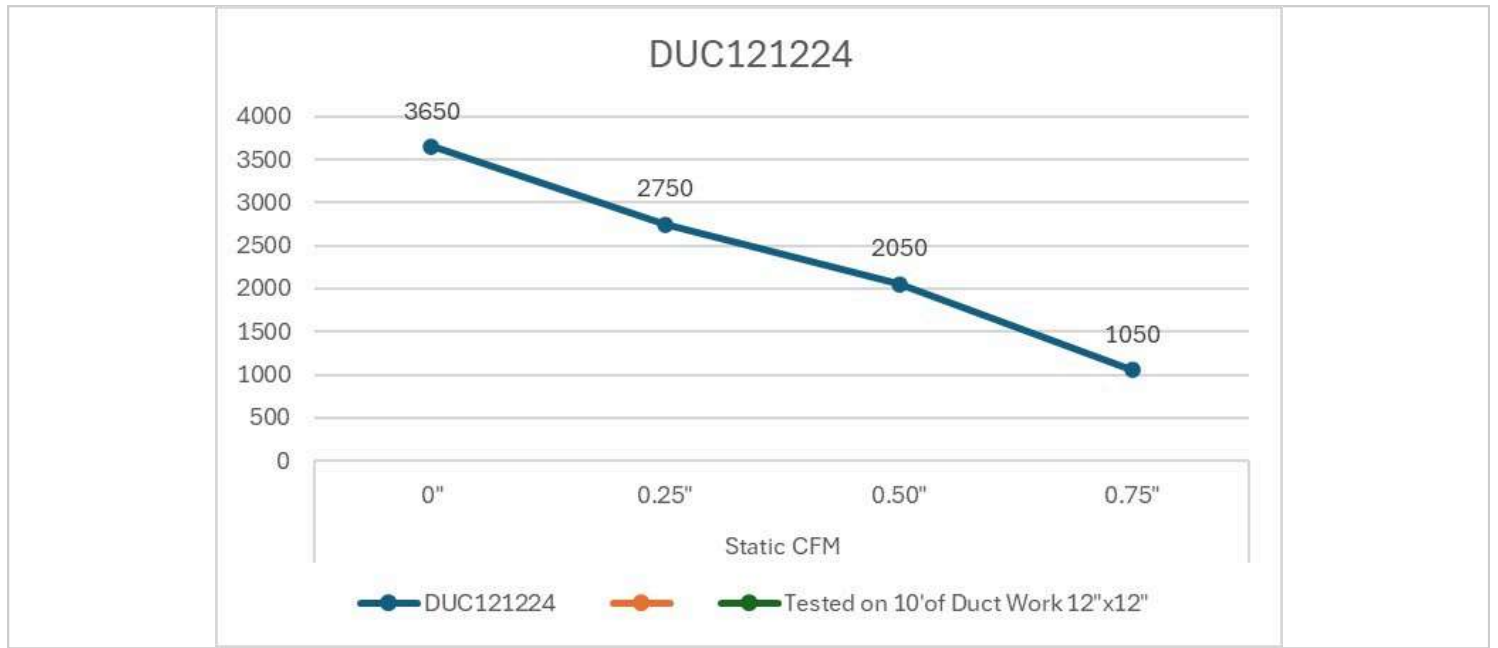
General Description

Roof-mounted centrifugal upblast exhaust fan designed for grease-laden air applications in commercial kitchens. Suitable for continuous duty operation and compliant with applicable ventilation standards.

Performance Data

Airflow (CFM)	3650 CFM
Fan Type	Centrifugal
Drive Type	Direct Drive
Max Operating Temperature	400F
Speed	1750 RPM

Static Pressure Curve



Motor Specifications

Motor Type	TEFC
Horsepower	3/4 HP
Voltage	115V
Phase	Single
Frequency	60 Hz
Insulation Class	Class F

Construction

Housing	G.I / Aluminum
Impeller	Backward Inclined Aluminum
Base	Heavy Gauge Steel
Fasteners	Steel

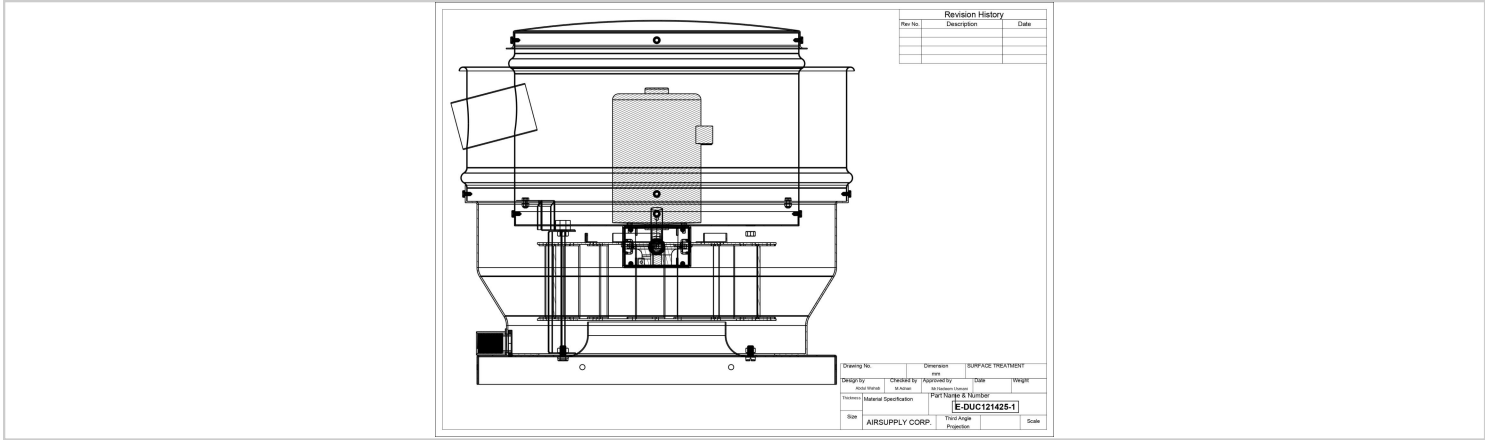
Compliance

Standard	-
Code	-

Certification	-
----------------------	---

Dimensions & Weight

Fan Diameter	25.3 in
Base Size	24 in x 24 in
Overall Height	24.4 in



Insert Dimension Drawing Here (PNG / CAD Export)

Installation Notes

- Compatible with standard roof curbs
- Disconnect switch recommended
- Proper duct transition required